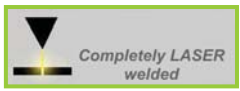
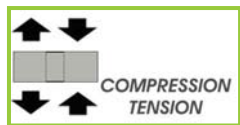
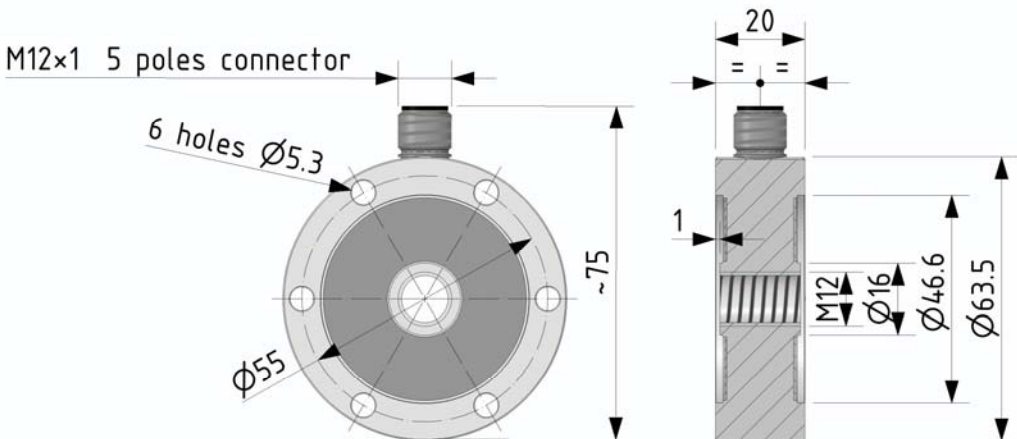


Accessories

A



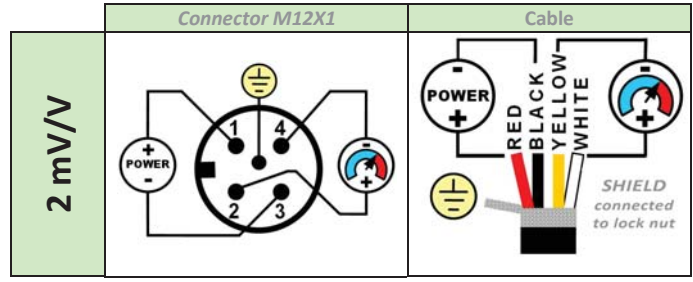
Dimensions [mm]



LOAD	CODE	LOAD
100 kg	CCTC4631KNI1	1 kN
200 kg	CCTC4632KNI1	2 kN
500 kg	CCTC4635KNI1	5 kN
1000 kg	CCTC46310KNI1	10 kN



Electrical Connections



Technical Data



NOMINAL LOAD	1 – 2 – 5 – 10 kN
NOMINAL SENSITIVITY	2 mV/V ⁽¹⁾
CALIBRATION TOLERANCE	≤ ± 0.1 % F.S.
TEMPERATURE EFFECT (10 °C):	
a) on zero	≤ ± 0.028 % F.S.
b) on sensitivity	≤ ± 0.024 % F.S.
LINEARITY	≤ ± 0.05 % F.S.
HYSTERESIS	≤ ± 0.05 % F.S.
REPEATABILITY	≤ ± 0.01 % F.S.
INPUT RESISTANCE	800 ± 20 Ω
OUTPUT RESISTANCE	705 ± 2 Ω
INSULATION RESISTANCE	> 5 GΩ
ZERO BALANCE	≤ ± 1 % F.S.
RECOMMENDED SUPPLY VOLTAGE	10 V
NOMINAL SUPPLY VOLTAGE	1 - 15 V
MAXIMUM SUPPLY VOLTAGE	18 V
MECHANICAL LIMIT VALUES:	
a) service load	120 % F.S.
b) max permissible load	150 % F.S.
c) breaking load	>300 % F.S.
d) max transverse load	100 % F.S.
e) max permissible dynamic load	75 % F.S. ⁽²⁾
DISPLACEMENT AT NOMINAL LOAD	~ 0.06 mm
REFERENCE TEMPERATURE	+23 °C
TEMPERATURE NOMINAL RANGE	-10 / +40 °C
SERVICE TEMPERATURE	-20 / +70 °C
STORAGE TEMPERATURE	-20 / +80 °C
WEIGHT	~ 0.28 kg
PROTECTION CLASS (EN 60529)	IP67
EXECUTION MATERIAL	Stainless Steel
CONNECTOR OUTPUT	M12 5 Poles Male connector
FIXING SCREWS:	
a) diameter	M5
b) resistance class	12.9
c) tightening torque	8 Nm

⁽¹⁾ Tests and calibrations performed in COMPRESSION with the transducer mounted on a bearing support with correctly tightened clamping screws.

⁽²⁾ The dynamic load must be applied to the transducer central thread and not to the external fixing rim.

Applications

COMPRESSION	TENSION
<p>WARNING</p> <p>Check that the fixing screws and the accessories are correctly tightened.</p> <p>Accessories material: Stainless Steel Rm ≥90 kg/mm²</p>	