

FB Mechanical Force Gauge

Push / Pull Mechanical Force Gauge – Series FB
Up to 150 lbf capacity (Also available in kgf or N models)

The rugged construction of the FB mechanical force gauges will withstand industrial environments and retain calibration for extended periods. Ergonomic design makes it ideal for hand held use, or it can be mounted to a test stand. The Zero-Tare ring allows you to zero the gauge to compensate for measuring attachments and changes in measuring position. The real time/peak hold selector switch allows you to observe transients or capture peaks. The FB force gauge is an analog force gauge and does not require charging, it is available for use at any time. Many ranges are available to cover all of your force measurement needs (also available in Newtons).



What's Included with the Gauge?

The FB series is sold in kits complete with force gauge, hard carrying case, [five measuring attachments](#) (flat head, conical, chisel, notched, and small hook) as well as a 3 inch extension shaft. An optional handle to facilitate the measurement of heavy loads is also available.

All gauges include a free certificate of calibration traceable to NIST. ISO-17025 certificates are available for an additional charge.

Note: Mechanical force gauges are not recommended for destructive testing or shock load applications.

RANGES

Shaft size: 10-32, M6 available

Accuracy: $\pm 0.3\%$ F.S.

More Ranges ►

<u>Pounds</u>	Model	FB-32oz	FB-80oz	FB-2	FB-5	FB-10
	Capacity (Resolution)	32 ozf (0.25 ozf)	80 ozf (1 ozf)	2 lbf (0.02 lbf)	5 lbf (0.05 lbf)	10 lbf (0.1 lbf)
<u>Kilograms</u>	Model	FB-1 kg	FB-2kg	FB-3kg	FB-5kg	FB-10kg
	Capacity (Resolution)	1 kgf (10 gf)	2 kgf (20 gf)	3 kgf (25 gf)	5 kgf (50 gf)	10 kgf (100 gf)
<u>Newtons</u>	Model	FB-10N	FB-20N	FB-30N	FB-50N	FB-100N
	Capacity (Resolution)	10 N (0.1 N)	20 N (0.2 N)	30 N (0.25 N)	50 N (0.5 N)	100 N (1 N)

Accuracy: $\pm 0.5\%$ F.S.

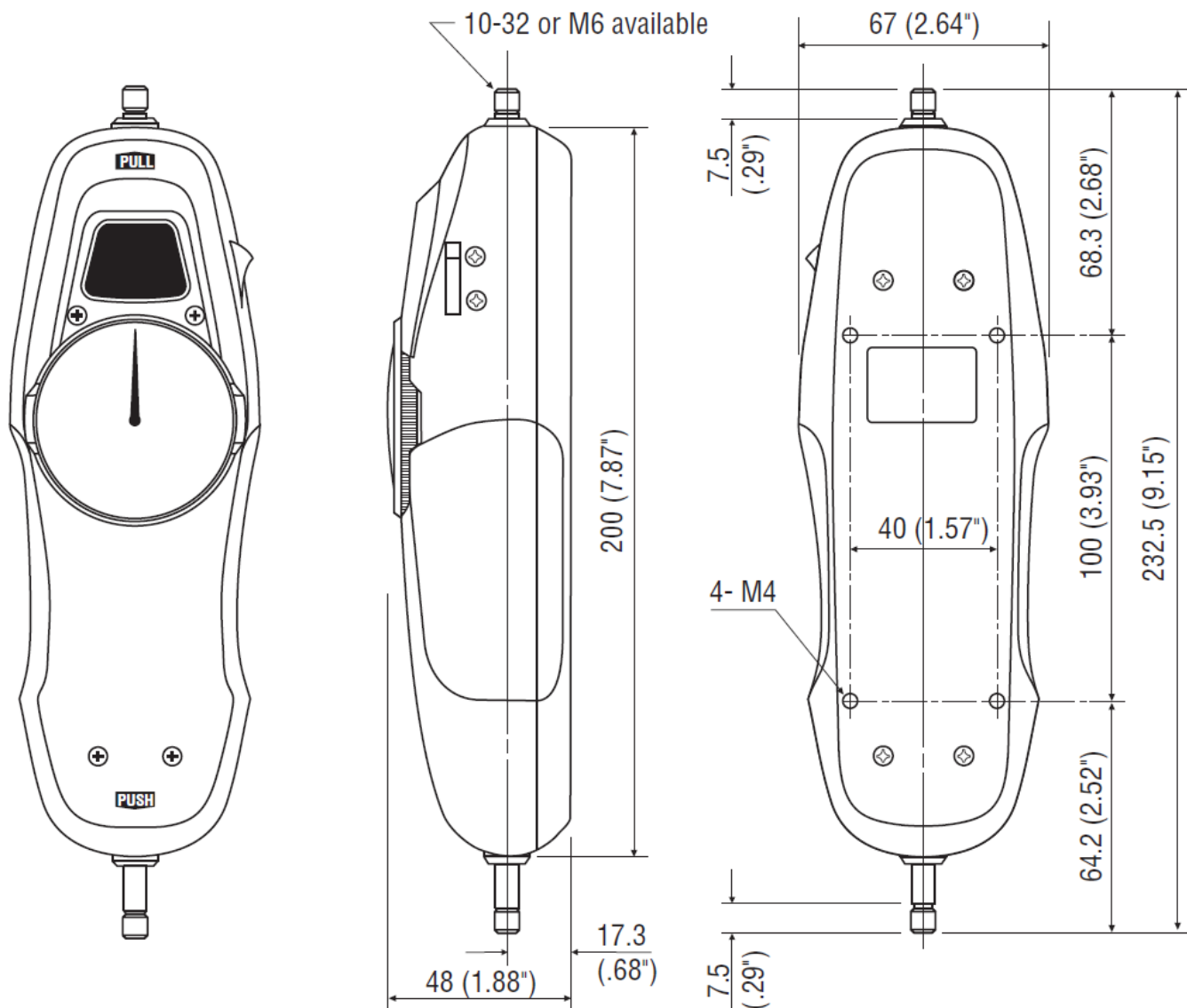
For capacities over 150 lbf use [High Capacity Mechanical Force Gauges](#)

<u>Pounds</u>	
Model	Capacity (Resolution)
FB-150	150 lbf (1 lbf)

SENSEL MEASUREMENT

41, rue des laitieres – 94300 VINCENNES - FRANCE

Tél. : 01 56 88 25 78 - www.sensel-measurement.fr - contact@sensel-measurement.com
S.A.R.L au capital de 7500 Euros - SIRET 502 277 908 00013 - APE 7490 - N° TVA : FR40502277908



SENSEL MEASUREMENT

41, rue des laitieres – 94300 VINCENNES - FRANCE

Tél. : 01 56 88 25 78 - www.sensel-measurement.fr - contact@sensel-measurement.com

S.A.R.L au capital de 7500 Euros - SIRET 502 277 908 00013 - APE 7490 - N° TVA : FR40502277908