

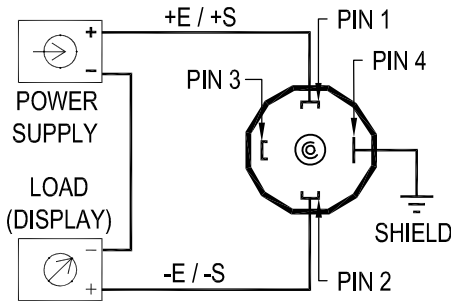
FUTEK MODEL PMP300

PRESSURE SENSOR (OEM)

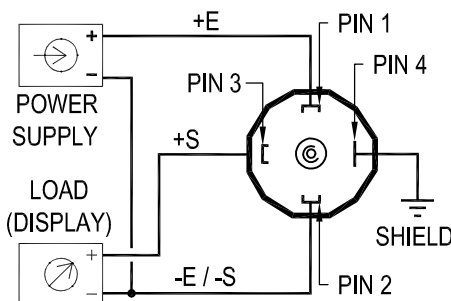
Drawing Number: F11287-D

INCH [mm] | R.O.= Rated Output

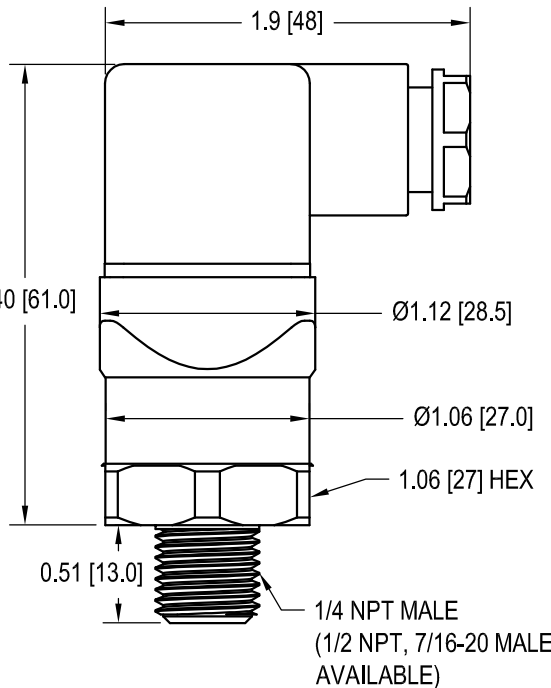
+Excitation	-Excitation	+Signal	-Signal
RED	BLACK	GREEN	WHITE



2-WIRE FOR CURRENT



3-WIRE FOR VOLTAGE



GAUGE / RELATIVE RANGES		
CAPACITY PSI	MAX PSI	BURST PSI
15	30	75
25	60	150
50	100	250
100	200	500
300	600	1500
500	1000	2500
1000	1740	7975
2000	4000	14500
3000	6000	17400
5000	10000	24650
10000	17400	34800

SPECIFICATIONS:

RATED OUTPUT	0-10 VDC [4-20 mA available]
CAPACITY	See Chart
MAXIMUM PRESSURE	See Chart
BURST PRESSURE	See Chart
EXCITATION	14-30 VDC [8-30 VDC for Current Output]
CURRENT DRAW	8 mA [25 mA for Current Version]
NONLINEARITY	±0.5% of R.O. (BFSL) ; ±1% of R.O. (End Point)
ZERO BALANCE	±0.5% of R.O.
HYSTERESIS	±0.16% of R.O.
NON-REPEATABILITY	±0.1% of R.O.
RESPONSE TIME	≤ 4 ms
TEMP. SHIFT ZERO	± 0.02% of R.O./°F (0.036% of R.O./°C)
TEMP. SHIFT SPAN	± 0.02% of LOAD/°F (0.036% of LOAD/°C)
COMPENSATED TEMP.	32 to 176°F (0 to 80°C)
OPERATING TEMP. (MEDIUM & BODY)	-40 to 176°F (-40 to 80°C)
WEIGHT	Approx. 2.8 oz (80 g)
MATERIAL (BODY/WETTED PARTS)	Stainless Steel
CE CONFORMITY	2004 /108 / EG EMC Directive EN 61 326 Emission Group 1, Class B Immunity Industrial Locations 97/23/EC Pressure Equipment Directive
SHOCK RESISTANCE	500g (IEC 60068-2-27)
VIBRATION RESISTANCE	10g (IEC 60068-2-6)
WIRING PROTECTION	Reverse Polarity, 32 VDC Max Overvoltage and Short Circuit
CONNECTOR: DIN EN 175301-803A (DIN 43 650) w/ Plug Connector	
CALIBRATION (STD)	CERTIFICATE OF CONFORMANCE INCLUDED
CALIBRATION (AVAILABLE)	NIST TRACEABLE 5 pt.

ABSOLUTE RANGES		
CAPACITY PSIA	MAX PSI	BURST PSI
15	30	75
25	60	150
50	100	250
100	200	500



This drawing is submitted solely for the information and exclusive use of the original addressee. It is not to be divulged in whole or in part, by any firm or individual without written permission from FUTEK

CAGE CODE # 1X8M6

10 THOMAS
IRVINE, CA 92618 USA
1-800-23-FUTEK (38835)

INTERNET:
<http://www.futek.com>