

SMT1130

STAINLESS STEEL SINGLE POINT LOAD CELL



FEATURES

- Capacities 7 - 100kg
- Stainless steel construction
- Single point 400 x 400mm platform
- OIML R60 and NTEP approved
- IP66 protection
- Available with metric and UNC threads

OPTIONAL FEATURES

- EEx ia IIC T4 - hazardous area approval
- FM approval available

DESCRIPTION

Model 1130 is a low profile stainless steel single point load cell ideally designed for direct mounting in bench and platform scales, packaging and process weighing equipment, and is built to perform in harsh environments.

The small physical size, combined with high accuracy and low cost, makes this load cell ideally suited for low profile bench and counting scales. A special humidity resistant protective coating assures long term stability over the entire compensated temperature range.

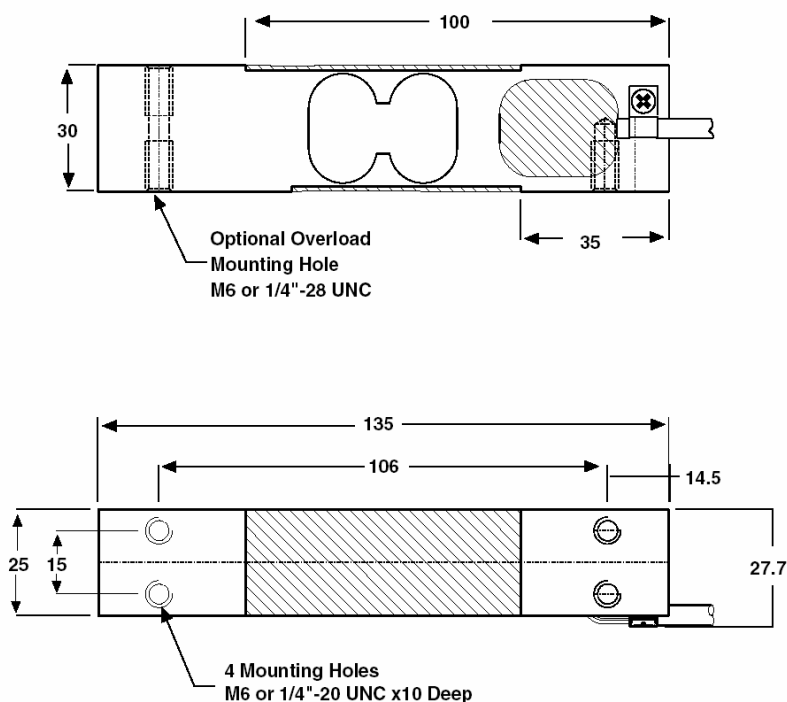
Constructed in stainless steel this high accuracy load cell is approved to stringent approval standards e.g OIML and NTEP.

The two additional sense wires feed back the voltage reaching the load cell. Complete compensation of changes in lead resistance due to temperature change and/or cable extension, is achieved by feeding this voltage into the appropriate electronics. voltage into the appropriate electronics.

APPLICATIONS

- Harsh environment small platforms
- Harsh environment check weighing

OUTLINE DIMENSIONS in millimeters



SPECIFICATIONS

PARAMETER	VALUE				UNIT
	NTEP	Non-Approved	C3*	C6**	
NTEP/OIML Accuracy class	NTEP	Non-Approved	C3*	C6**	
Maximum no. of intervals (n)	4000 single	1000	3000***	6000****	
Rated capacity-R.C. (E_{max})	7, 10, 15, 20, 30, 35, 50, 75, 100				kg
Rated output-R.O.	2.0				mV/V
Rated output tolerance	0.2				±mV/V
Zero balance	0.2				+mV/V
Zero Return, 30 min.	0.0250	0.0300	0.0170	0.0083	±% of applied load
Total Error (per OIML R60)	0.0015	0.0500	0.0200	0.0100	±% of rated output
Temperature effect on zero	0.0030	0.0100	0.0023	0.0024	±% of rated output/°C
$Y = E_{max}/V_{min}$	15000	2000	15000	15000	
Temperature effect on output	0.0008	0.0030	0.0010	0.00058	±% of applied load/°C
Eccentric loading error	0.0035	0.0074	0.0049	0.0024	±% of rated load/cm
Temp. range, compensated	-10 to +40				°C
Temp. range, safe	-20 to +70				°C
Maximum safe central overload	150				% of R.C.
Ultimate central overload	300				% of R.C.
Excitation, recommended	10				Vdc or Vac rms
Excitation, maximum	15				Vdc or Vac rms
Input impedance	385±15				Ohms
Output impedance	350±3				Ohms
Insulation resistance	>2000				Mega-Ohms
Cable length	1.5				m
Cable type	6wire, PVC, single floating screen				Standard
Construction	Stainless steel				
Environmental protection	IP66				
Platform size (max)	400 x 400				mm
Recommended torque	13.0				N·m

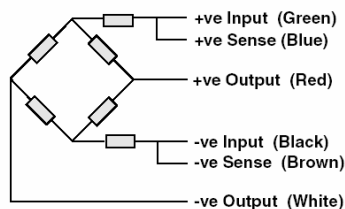
* 50% utilization

** 60% utilization

*** Capacities 50-100kg

**** Capacities 7-35kg

Wiring Schematic Diagram



Balanced Temperature Compensation